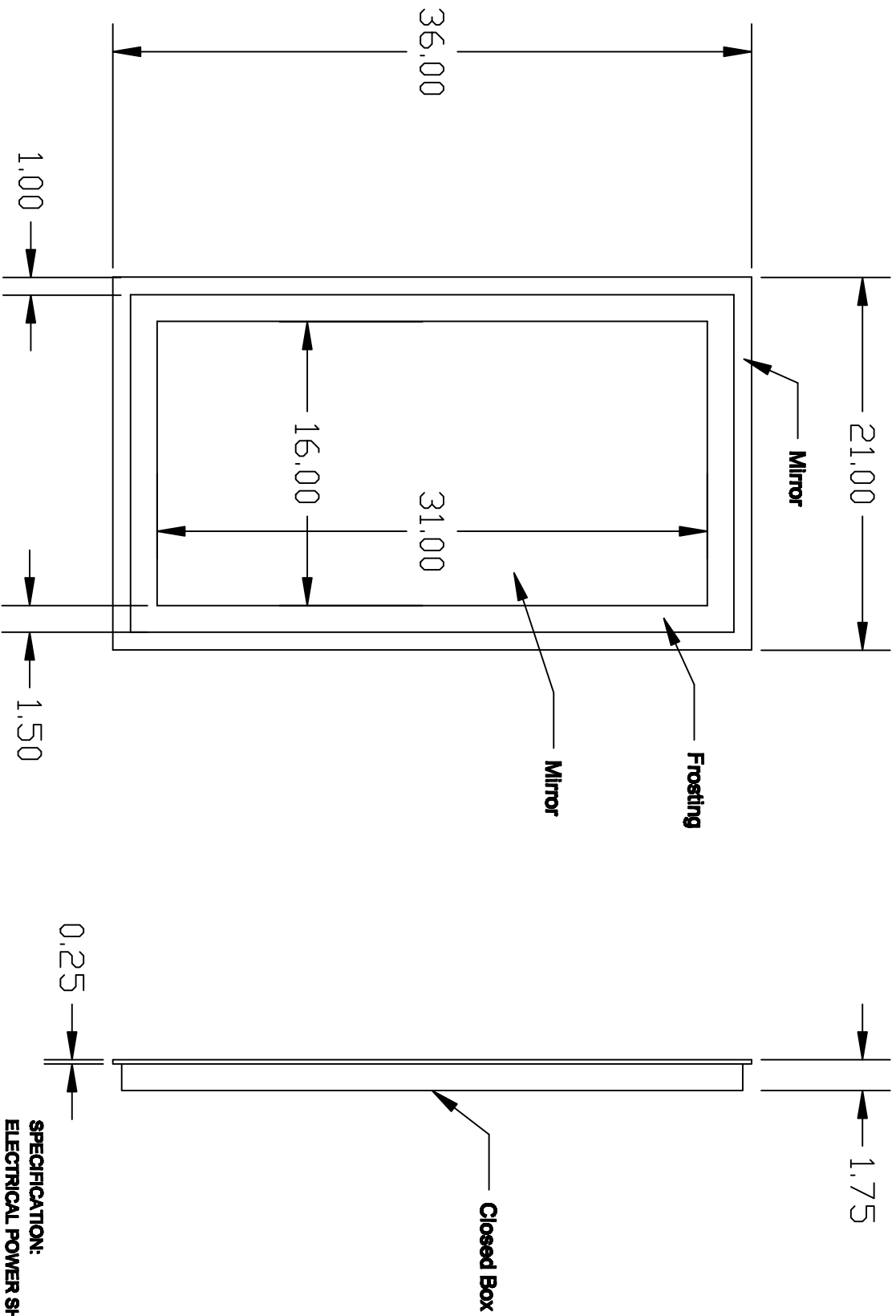


# Majestic Mirror and Frame



Item: Strand

Date: 12/5/08

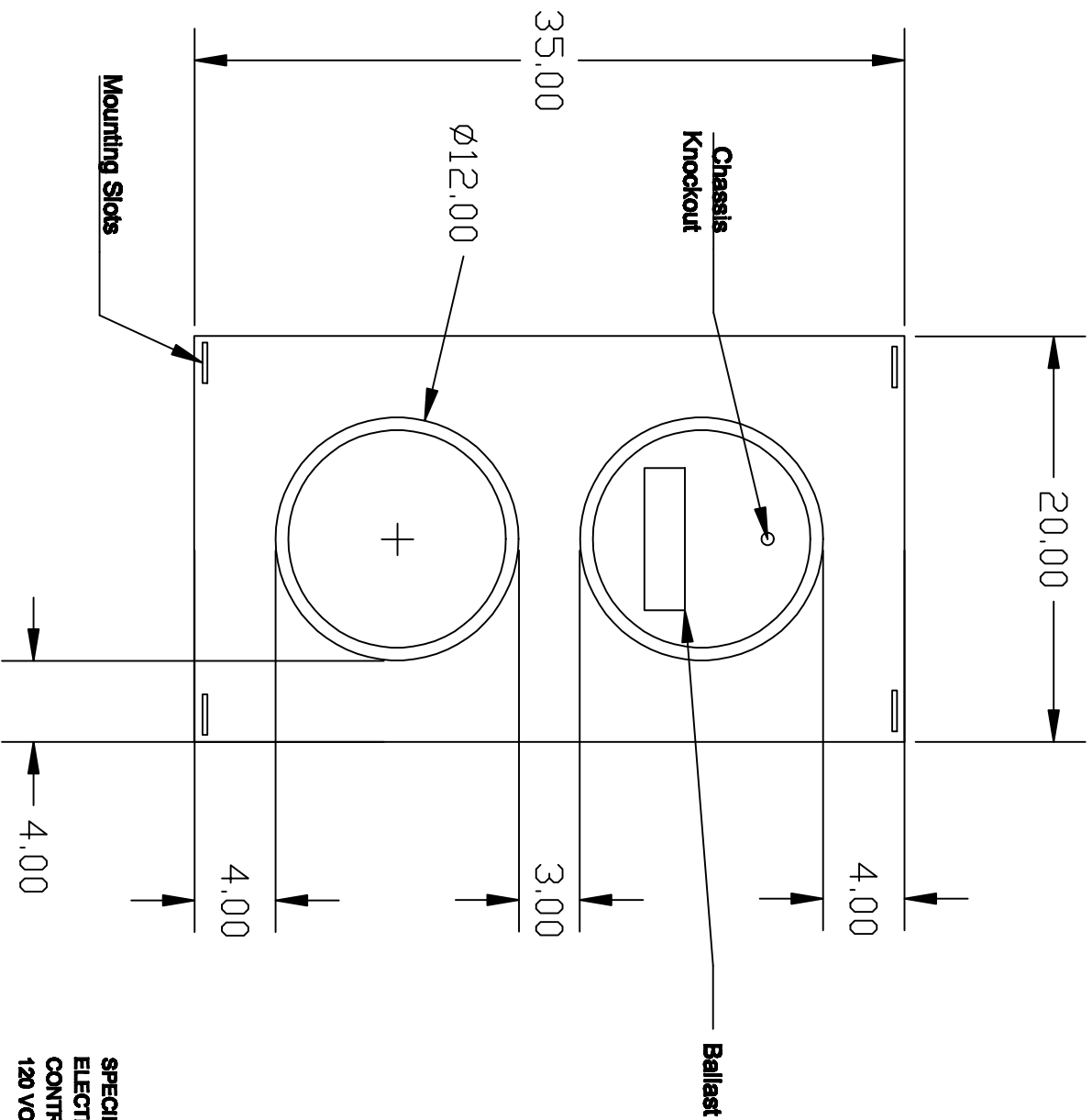
Project Name:

2 T-5 BULBS  
55 WATT CIRCUINE  
12,000 HOURS  
3000 KELVIN

LIGHT BOX SHOULD BE MOUNTED  
TO THE STUDS OR BACKING IN  
WALL.  
POWER REQUIREMENTS:  
120 VOLTS, 1.15 AMPS

SPECIFICATION:  
ELECTRICAL POWER SHOULD BE  
CONTROLLED BY A LIGHT SWITCH,  
120 VOLT VERSION.

# Majestic Mirror and Frame



**SPECIFICATION:**  
 ELECTRICAL POWER SHOULD BE  
 CONTROLLED BY A LIGHT SWITCH,  
 120 VOLT VERSION.

LIGHT BOX SHOULD BE MOUNTED  
 TO THE STUDS OR BACKING IN  
 WALL.

**POWER REQUIREMENTS:**  
 120 VOLTS, 1.15 AMPS

2 T-5 BULBS  
 55 WATT CIRCUINE  
 12,000 HOURS  
 3000 KELVIN

Item: Strand

Date: 12/5/08

Project Name: